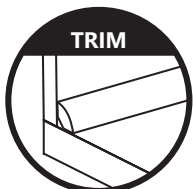
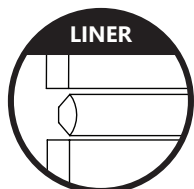
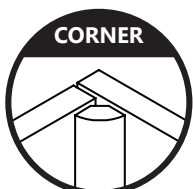
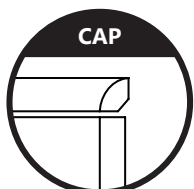




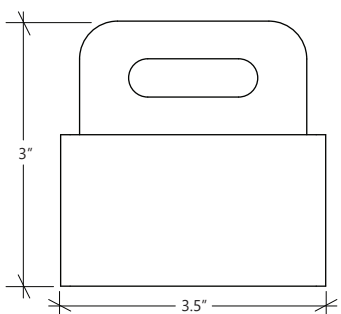
# 8FT JOLLY DISPLAY FIXTURE USE & CARE INSTRUCTIONS

## 4 WAYS TO INSTALL

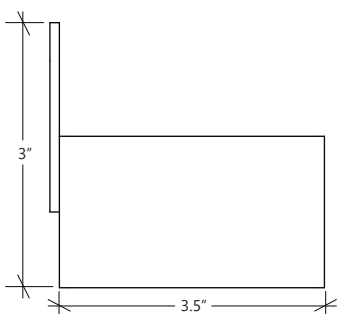


Introducing the 8<sup>FT</sup> Quarter Round Trim Fixture: expertly designed to showcase and sell 8<sup>FT</sup> Quarter Round Trim pieces with style and durability. Made from tough powder-coated metal, it can hold up to 36 pieces of trim, keeping your inventory safe and organized. Its adaptable design fits smoothly into any distributor space, providing a sleek and professional way to display and sell your Quarter Round Trim Collection.

## INCLUDED WITH YOUR JOLLY DISPLAY FIXTURE



TOP PIECE (FRONT VIEW)



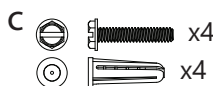
TOP PIECE (SIDE VIEW)



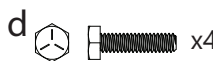
18-8 Stainless Steel Washer for 5/16" Screw Size, 0.344" ID, 0.75" OD  
ITEM #: STEELWASHER



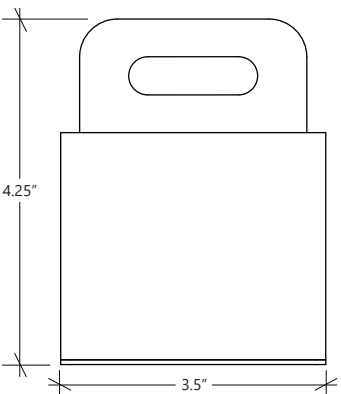
Medium-Strength Steel Hex Nut Grade 5, Zinc-Plated, 1/4"-20 Thread Size  
ITEM #: 1/4 INCH HEXNUT



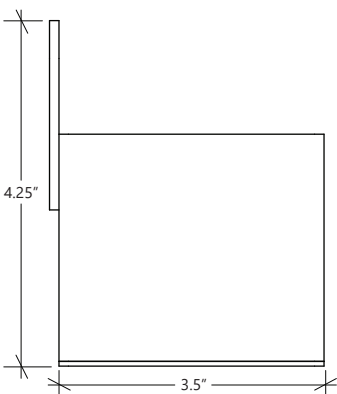
Anchors with Screw  
1" Long, with 1" Long Number 10 Size Hex Head Slotted Screw  
ITEM #: 1 INCH HEXSCREW



Medium-Strength Grade 5 Steel Hex Head Screw Zinc-Plated, 1/4"-20 Thread Size, 1" Long  
ITEM #: 1/4 INCH HEXSCREW



BOTTOM PIECE (FRONT VIEW)



BOTTOM PIECE (SIDE VIEW)



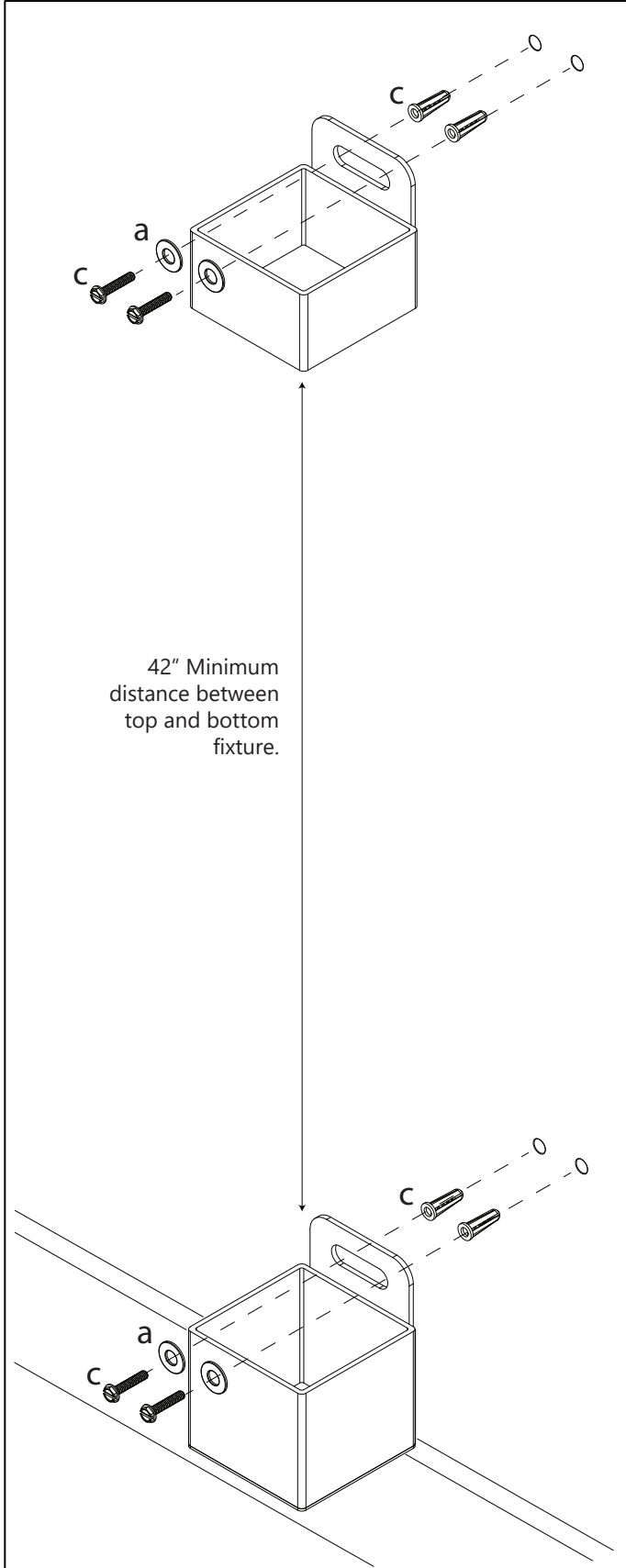
USE IN WET AREAS  
ANTIMICROBIAL, SCRATCH & STAIN RESISTANT



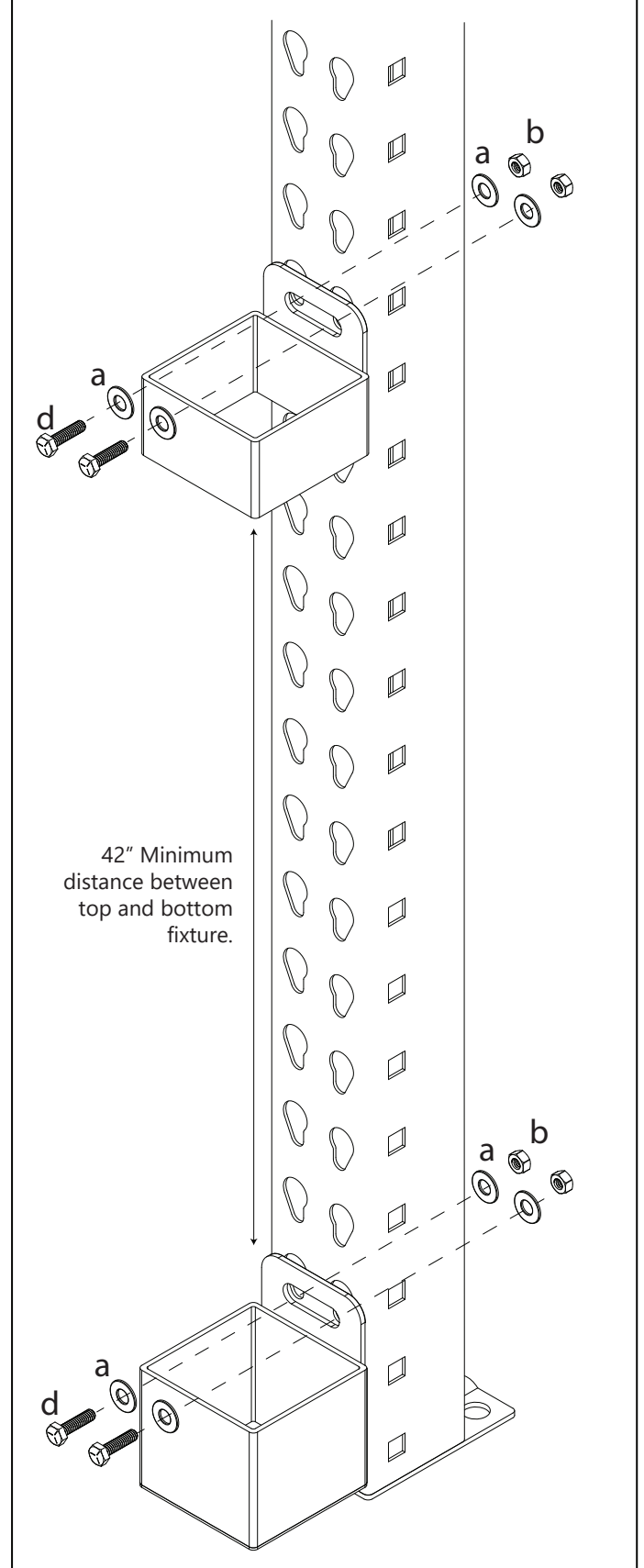
THE FINISHING TOUCH



# DRYWALL INSTALLATION



# UPRIGHT RACK FIXTURE INSTALLATION



PROTECTED BY



USE IN WET AREAS  
ANTIMICROBIAL, SCRATCH & STAIN RESISTANT



THE FINISHING TOUCH

